

## LM133/LM333 3-Ampere Adjustable Negative Regulators

### General Description

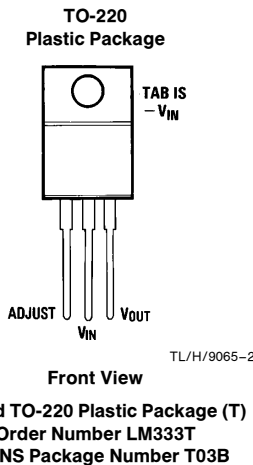
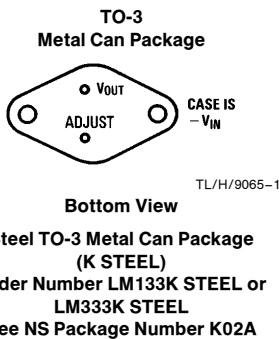
The LM133/LM333 are adjustable 3-terminal negative voltage regulators capable of supplying in excess of  $-3.0A$  over an output voltage range of  $-1.2V$  to  $-32V$ . These regulators are exceptionally easy to apply, requiring only 2 external resistors to set the output voltage and 1 output capacitor for frequency compensation. The circuit design has been optimized for excellent regulation and low thermal transients. Further, the LM133 series features internal current limiting, thermal shutdown and safe-area compensation, making them substantially immune to failure from overloads.

The LM133/LM333 serve a wide variety of applications including local on-card regulation, programmable-output voltage regulation or precision current regulation. The LM133/LM333 are ideal complements to the LM150/LM350 adjustable positive regulators.

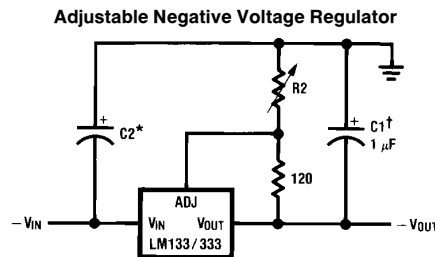
### Features

- Output voltage adjustable from  $-1.2V$  to  $-32V$
- $3.0A$  output current guaranteed,  $-55^{\circ}C$  to  $+150^{\circ}C$
- Line regulation typically  $0.01\%/V$
- Load regulation typically  $0.2\%$
- Excellent rejection of thermal transients
- $50 \text{ ppm}/^{\circ}C$  temperature coefficient
- Temperature-independent current limit
- Internal thermal overload protection
- P+ Product Enhancement tested
- Standard 3-lead transistor package
- Output is short circuit protected

### Connection Diagrams



### Typical Applications



$$-V_{OUT} = -1.25V \left( 1 + \frac{R_2}{120\Omega} \right) + (-I_{ADJ} \times R_2)$$

†C1 =  $1 \mu F$  solid tantalum or  $10 \mu F$  aluminum electrolytic required for stability.

\*C2 =  $1 \mu F$  solid tantalum is required only if regulator is more than 4" from power supply filter capacitor.

Output capacitors in the range of  $1 \mu F$  to  $1000 \mu F$  of aluminum or tantalum electrolytic are commonly used to provide lower output impedance and improved transient response.

## Absolute Maximum Ratings (Note 1)

If Military/Aerospace specified devices are required, please contact the National Semiconductor Sales Office/Distributors for availability and specifications.

Power Dissipation	Internally Limited
Input-Output Voltage Differential	35V
Operating Junction Temperature Range	$T_{MIN}$ to $T_{MAX}$
LM133	-55°C to +150°C
LM333	-40°C to +125°C

Storage Temperature	-65°C to +150°C
Lead Temperature (Soldering, 10 sec.)	
TO-3 Package	300°C
TO-220 Package	260°C
ESD Susceptibility	TBD

**Electrical Characteristics LM133** Specifications with standard typeface are for  $T_J = 25^\circ\text{C}$ , and those with **boldface type** apply over the full operating temperature range. (Note 3)

Parameter	Conditions	Typical	Min (Note 2)	Max (Note 2)	Units
Reference Voltage	$I_L = 10\text{ mA}$	-1.250	-1.238	-1.262	V
	$3\text{V} \leq  V_{IN} - V_{OUT}  \leq 35\text{V}$ $10\text{ mA} \leq I_L \leq 3\text{A}, P \leq P_{MAX}$	<b>-1.250</b>	<b>-1.225</b>	<b>-1.275</b>	V
Line Regulation	$3\text{V} \leq  V_{IN} - V_{OUT}  \leq 35\text{V}$ $I_{OUT} = 50\text{ mA}$ (Note 4)	0.01 <b>0.02</b>		0.02 <b>0.05</b>	% /V
Load Regulation	$10\text{ mA} \leq I_{OUT} \leq 3\text{A}, P \leq P_{MAX}$ (Notes 4, 5)	0.2 <b>0.4</b>		0.5 <b>1.0</b>	%
Thermal Regulation	10 ms Pulse	0.002		0.01	% /W
Temperature Stability	$T_{MIN} \leq T_J \leq T_{MAX}$	<b>0.4</b>			%
Long Term Stability	$T_J = 125^\circ\text{C}$ , 1000 Hours	0.15			%
Adjust Pin Current		65 <b>70</b>		90 <b>100</b>	$\mu\text{A}$
Adjust Pin Current Change	$10\text{ mA} \leq I_L \leq 3\text{A}$ $3.0\text{V} \leq  V_{IN} - V_{OUT}  \leq 35\text{V}$	2		<b>6</b>	$\mu\text{A}$
Minimum Load Current	$ V_{IN} - V_{OUT}  \leq 35\text{V}$	<b>2.5</b>		<b>5.0</b>	mA
	$ V_{IN} - V_{OUT}  \leq 10\text{V}$	<b>1.2</b>		<b>2.5</b>	
Current Limit (Note 5)	$3\text{V} \leq  V_{IN} - V_{OUT}  \leq 10\text{V}$	<b>3.9</b>	<b>3.0</b>		A
	$ V_{IN} - V_{OUT}  = 20\text{V}$	<b>2.4</b>	<b>1.25</b>		
	$ V_{IN} - V_{OUT}  = 30\text{V}$	<b>0.4</b>	<b>0.3</b>		
Output Noise (% of $V_{OUT}$ )	10 Hz to 10 kHz	0.003			% (rms)
Ripple Rejection	$V_{OUT} = 10\text{V}, f = 120\text{ Hz}$ $C_{ADJ} = 0\ \mu\text{F}$ $C_{ADJ} = 10\ \mu\text{F}$	60 77			dB
Thermal Resistance Junction-to-Case	TO-3 Package (K STEEL)	1.2		1.8	$^\circ\text{C}/\text{W}$
Thermal Shutdown Temperature		163	150	190	$^\circ\text{C}$

**Electrical Characteristics LM333** Specifications with standard typeface are for  $T_J = 25^\circ\text{C}$ , and those with **boldface type** apply over the full operating temperature range. (Note 3)

Parameter	Conditions	Typical	Min (Note 2)	Max (Note 2)	Units
Reference Voltage	$I_L = 10\text{ mA}$	-1.250	-1.225	-1.275	V
	$3\text{V} \leq  V_{IN} - V_{OUT}  \leq 35\text{V}$ $10\text{ mA} \leq I_L \leq 3\text{A}, P \leq P_{MAX}$	<b>-1.250</b>	<b>-1.213</b>	<b>-1.287</b>	
Line Regulation	$3\text{V} \leq  V_{IN} - V_{OUT}  \leq 35\text{V}$ $I_{OUT} = 50\text{ mA}$ (Note 4)	0.01 <b>0.02</b>		0.04 <b>0.07</b>	% /V
Load Regulation	$10\text{ mA} \leq I_L \leq 3\text{A}, P \leq P_{MAX}$ (Notes 4 and 5)	0.2 <b>0.4</b>		1.0 <b>1.5</b>	%
Thermal Regulation	10 ms Pulse	0.002		0.02	% /W
Temperature Stability	$T_{MIN} \leq T_J \leq T_{MAX}$	<b>0.5</b>			%
Long Term Stability	$T_J = 125^\circ\text{C}$ , 1000 Hours	0.2			%
Adjust Pin Current		65 <b>70</b>		95 <b>100</b>	$\mu\text{A}$
Adjust Pin Current Change	$10\text{ mA} \leq I_L \leq 3\text{A}$ $3.0\text{V} \leq  V_{IN} - V_{OUT}  \leq 35\text{V}$	2.5		<b>8</b>	$\mu\text{A}$
Minimum Load Current	$ V_{IN} - V_{OUT}  \leq 35\text{V}$	<b>2.5</b>		<b>10</b>	mA
	$ V_{IN} - V_{OUT}  \leq 10\text{V}$	<b>1.5</b>		<b>5.0</b>	
Current Limit (Note 5)	$3\text{V} \leq  V_{IN} - V_{OUT}  \leq 10\text{V}$	<b>3.9</b>	3.0		A
	$ V_{IN} - V_{OUT}  = 20\text{V}$	<b>2.4</b>	1.0		
	$ V_{IN} - V_{OUT}  = 30\text{V}$	<b>0.4</b>	0.20		
Output Noise (% of $V_{OUT}$ )	10 Hz to 10 kHz	0.003			% (rms)
Ripple Rejection	$V_{OUT} = 10\text{V}, f = 120\text{ Hz}$ $C_{ADJ} = 0\ \mu\text{F}$ $C_{ADJ} = 10\ \mu\text{F}$	60 77			dB
Thermal Resistance Junction to Case	TO-3 Package (K STEEL)	1.2		1.8	$^\circ\text{C}/\text{W}$
	TO-220 Package (T)	3		4	
Thermal Shutdown Temperature		163			$^\circ\text{C}$
Thermal Resistance Junction to Ambient (No Heatsink)	K Package	35			$^\circ\text{C}/\text{W}$
	T Package	50			

**Note 1:** Absolute Maximum Ratings indicate limits beyond which damage to the device may occur. Electrical specifications do not apply when operating the device outside of its stated operating conditions.

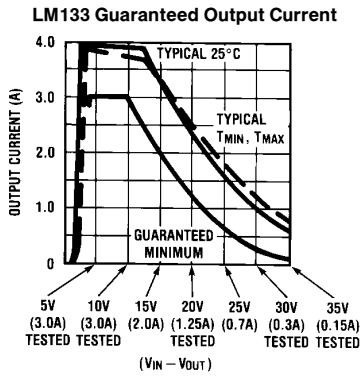
**Note 2:** All limits are guaranteed at either room temperature (standard type face) or at **temperature extremes (bold typeface)** by production testing or correlation techniques using standard Statistical Quality Control (SQC) methods.

**Note 3:** Unless otherwise specified:  $|V_{IN} - V_{OUT}| = 5\text{V}, I_{OUT} = 0.5\text{A}, P_{DISS} \leq 30\text{W}$ .

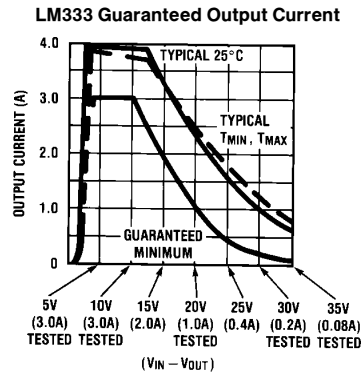
**Note 4:** Load and line regulation are measured at constant junction temperature, using low duty cycle pulse testing (output voltage changes due to heating effects are covered by the Thermal Regulation specification). For the TO-3 package, load regulation is measured on the output pin,  $1/8$ " below the base of the package.

**Note 5:** The output current of the LM333 is guaranteed to be  $\geq 3\text{A}$  in the range  $3\text{V} \leq |V_{IN} - V_{OUT}| \leq 10\text{V}$ . For the range  $10\text{V} \leq |V_{IN} - V_{OUT}| \leq 15\text{V}$ , the guaranteed minimum output current is equal to:  $30 / (V_{IN} - V_{OUT})$ . Refer to graphs for guaranteed output currents at other voltages.

## Guaranteed Performance Characteristics



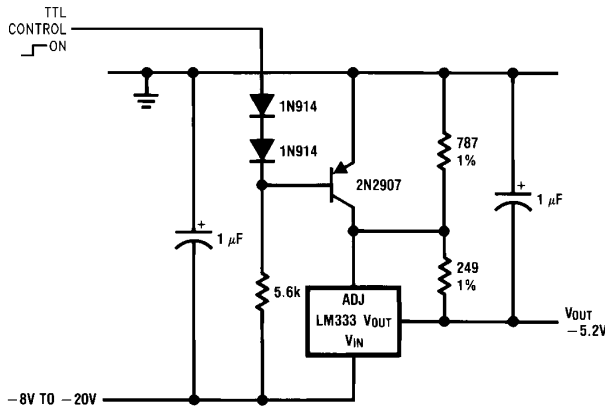
TL/H/9065-4



TL/H/9065-5

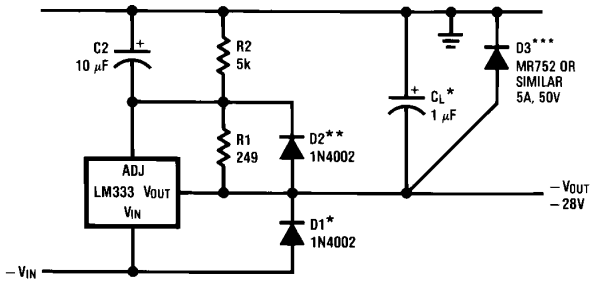
## Typical Applications (Continued)

### -5.2V Regulator with Electronic Shutdown



TL/H/9065-6

### Negative Regulator with Protection Diodes



TL/H/9065-7

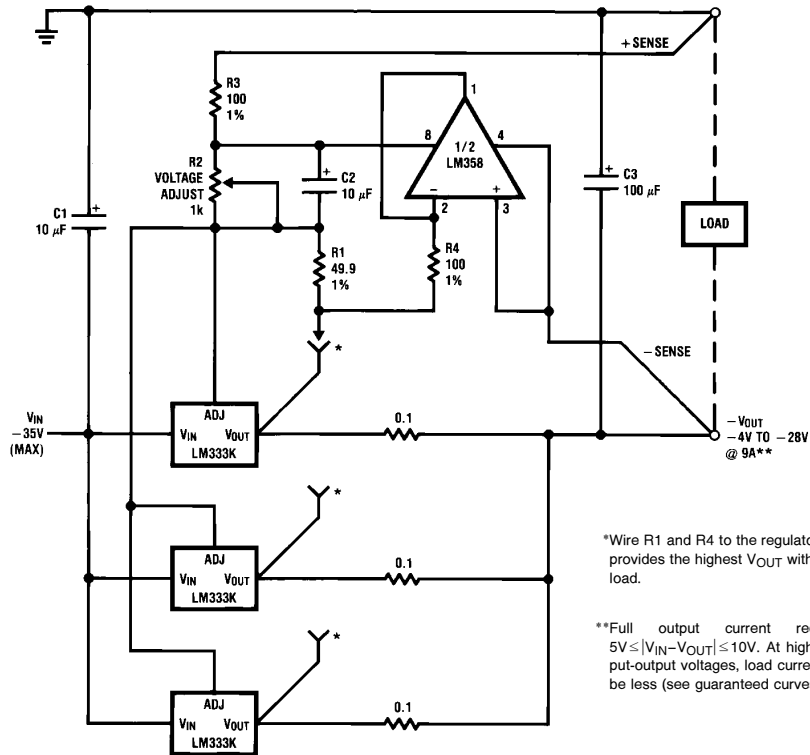
\*When  $C_L$  is larger than 20  $\mu\text{F}$ , D1 protects the LM133 in case the input supply is shorted.

\*\*When  $C_2$  is larger than 10  $\mu\text{F}$  and  $-V_{OUT}$  is larger than  $-25\text{V}$ , D2 protects the LM133 in case the output is shorted.

\*\*\*In case  $V_{OUT}$  is shorted to a positive supply, D3 protects the LM133 from overvoltage, and protects the load from reversed voltage.

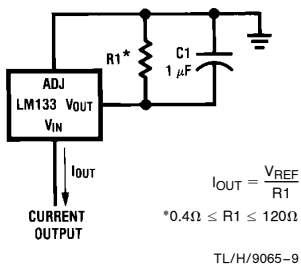
## Typical Applications (Continued)

### High-Performance 9-Ampere Adjustable Regulator

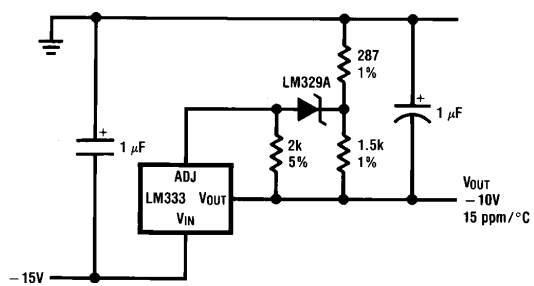


TL/H/9065-8

### Current Regulator

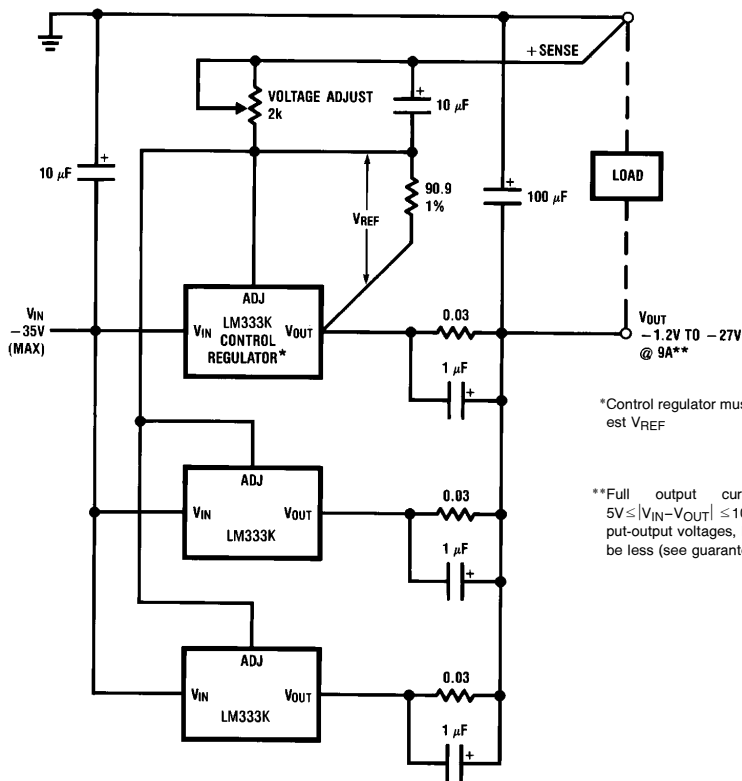


### High Stability 10V Regulator



# Typical Applications (Continued)

## High-Current Adjustable Regulator

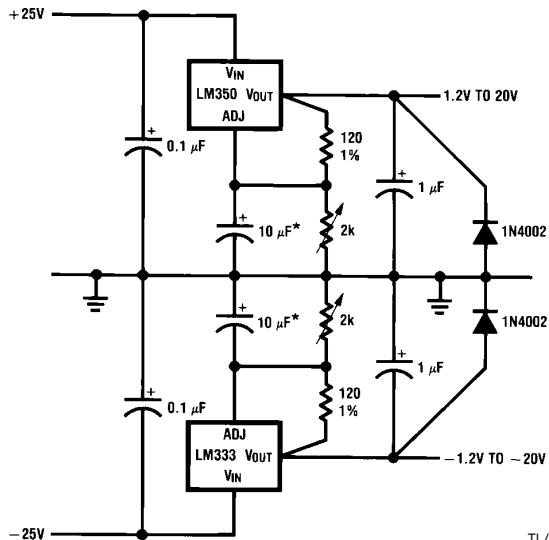


\*Control regulator must have the largest  $V_{REF}$

\*\*Full output current requires  $5V \leq |V_{IN} - V_{OUT}| \leq 10V$ . At higher input-output voltages, load current will be less (see guaranteed curves)

TL/H/9065-11

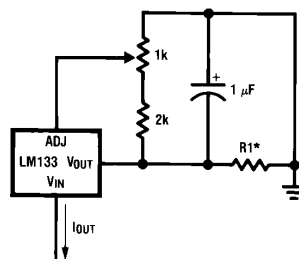
## Adjustable Lab Voltage Regulator



\*The 10  $\mu$ F capacitors are optional to improve ripple rejection.

TL/H/9065-12

## Adjustable Current Regulator



TL/H/9065-13

$$I_{OUT} = \left( \frac{1.5V}{R1} \right) \pm 15\% \text{ adjustable}$$

\* $0.5\Omega \leq R1 \leq 24\Omega$

## Typical Applications (Continued)

### THERMAL REGULATION

When power is dissipated in an IC, a temperature gradient occurs across the IC chip affecting the individual IC circuit components. With an IC regulator, this gradient can be especially severe since the power dissipation is large. Thermal regulation is the effect of these temperature gradients on output voltage (in percentage output change) per watt of power change in a specified time. Thermal regulation error is independent of electrical regulation or temperature coefficient, and occurs within 5 ms to 50 ms after a change in power dissipation. Thermal regulation depends on IC layout as well as electrical design. The thermal regulation of a voltage regulator is defined as the percentage change of  $V_{OUT}$ ,

per watt, within the first 10 ms after a step of power is applied. The LM133's specification is 0.01%/W, max.

In *Figure 1*, a typical LM133's output drifts only 2 mV (or 0.02% of  $V_{OUT} = -10V$ ) when a 20W pulse is applied for 10 ms. This performance is thus well inside the specification limit of  $0.01\%/W \times 20W = 0.2\%$  max. When the 20W pulse is ended, the thermal regulation again shows a 2 mV step as the LM133 chip cools off. Note that the load regulation error of about 1 mV (0.01%) is additional to the thermal regulation error. In *Figure 2*, when the 20W pulse is applied for 100 ms, the output drifts only slightly beyond the drift in the first 10 ms, and the thermal error stays well within 0.1% (10 mV).

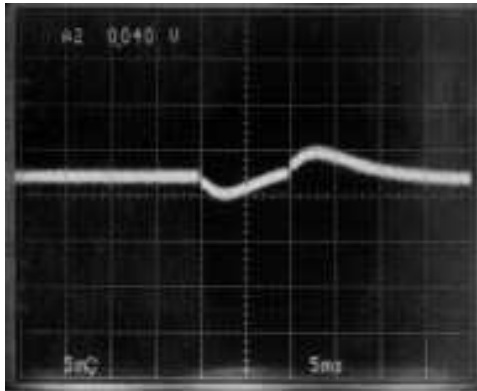


FIGURE 1

TL/H/9065-14

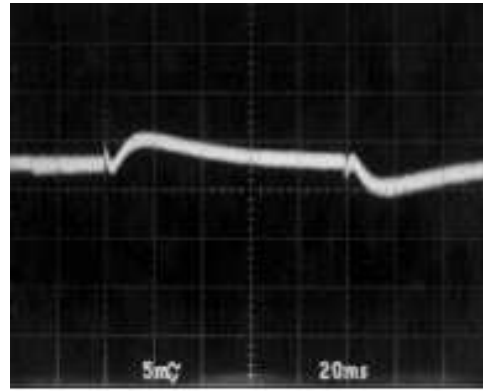
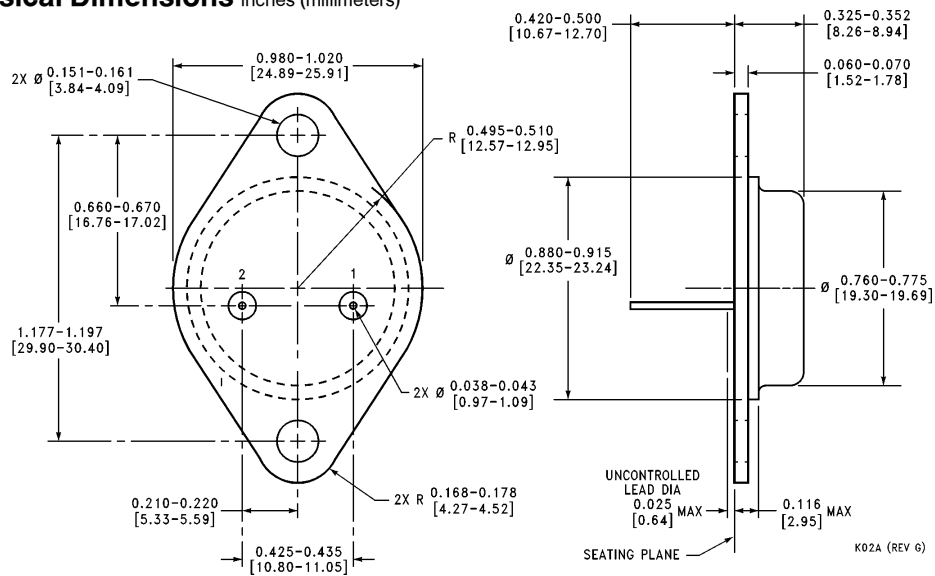


FIGURE 2

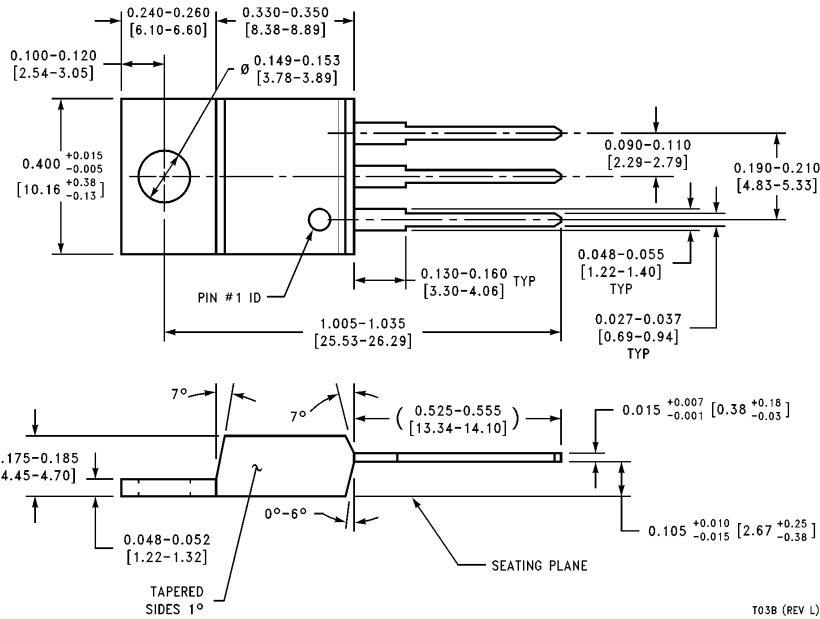
TL/H/9065-15

### Physical Dimensions inches (millimeters)



**Steel TO-3 Metal Can Package (K STEEL)**  
**Order Number LM133K STEEL or LM333K STEEL**  
**NS Package Number K02A**

**Physical Dimensions** inches (millimeters) (Continued)



**3-Lead TO-220 Plastic Package (T)**  
**Order Number LM333T**  
**NS Package Number T03B**

T03B (REV L)

*This data sheet contains preliminary limits and design specifications. Supplemental information will be published at a later date. National Semiconductor reserves the right to make changes in the products contained in this document in order to improve design or performance and to supply the best possible products. National also assumes no responsibility for the use of any circuits described herein, conveys no license under any patent or other right, and makes no representations that the circuits are free from patent infringement. Applications for any integrates circuits contained in this document are for illustration purposes only and National makes no representation or warranty that such applications will be suitable for the use specified without further testing or modification.*

**LIFE SUPPORT POLICY**

NATIONAL'S PRODUCTS ARE NOT AUTHORIZED FOR USE AS CRITICAL COMPONENTS IN LIFE SUPPORT DEVICES OR SYSTEMS WITHOUT THE EXPRESS WRITTEN APPROVAL OF THE PRESIDENT OF NATIONAL SEMICONDUCTOR CORPORATION. As used herein:

1. Life support devices or systems are devices or systems which, (a) are intended for surgical implant into the body, or (b) support or sustain life, and whose failure to perform, when properly used in accordance with instructions for use provided in the labeling, can be reasonably expected to result in a significant injury to the user.
2. A critical component is any component of a life support device or system whose failure to perform can be reasonably expected to cause the failure of the life support device or system, or to affect its safety or effectiveness.



**National Semiconductor Corporation**  
 1111 West Bardin Road  
 Arlington, TX 76017  
 Tel: 1(800) 272-9959  
 Fax: 1(800) 737-7018

**National Semiconductor Europe**  
 Fax: (+49) 0-180-530 85 86  
 Email: cnjwge@tevm2.nsc.com  
 Deutsch Tel: (+49) 0-180-530 85 85  
 English Tel: (+49) 0-180-532 78 32  
 Français Tel: (+49) 0-180-532 93 58  
 Italiano Tel: (+49) 0-180-534 16 80

**National Semiconductor Hong Kong Ltd.**  
 19th Floor, Straight Block,  
 Ocean Centre, 5 Canton Rd.  
 Tsimshatsui, Kowloon  
 Hong Kong  
 Tel: (852) 2737-1600  
 Fax: (852) 2736-9960

**National Semiconductor Japan Ltd.**  
 Tel: 81-043-299-2309  
 Fax: 81-043-299-2408

National does not assume any responsibility for use of any circuitry described, no circuit patent licenses are implied and National reserves the right at any time without notice to change said circuitry and specifications.



This datasheet has been download from:

[www.datasheetcatalog.com](http://www.datasheetcatalog.com)

Datasheets for electronics components.

# National Semiconductor was acquired by Texas Instruments.

[http://www.ti.com/corp/docs/investor\\_relations/pr\\_09\\_23\\_2011\\_national\\_semiconductor.html](http://www.ti.com/corp/docs/investor_relations/pr_09_23_2011_national_semiconductor.html)

This file is the datasheet for the following electronic components:

LM133 - <http://www.ti.com/product/lm133?HQS=TI-null-null-dscatalog-df-pf-null-wwe>

LM333 - <http://www.ti.com/product/lm333?HQS=TI-null-null-dscatalog-df-pf-null-wwe>